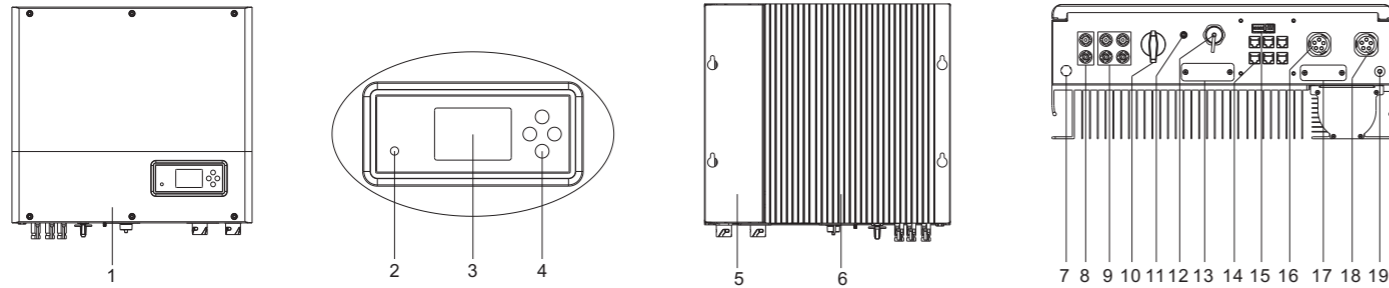


SPH 4000-10000TL3 BH Quick Guide



1. Overview



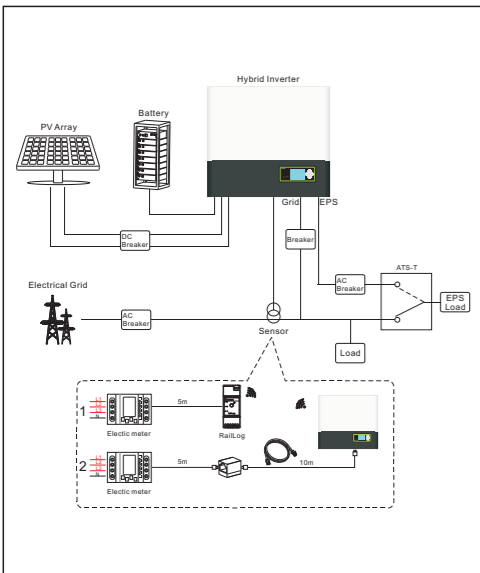
- 1. Front panel
- 2. Double color LED
- 3. LCD screen
- 4. Push button
- 5. Magnetic devices
- 6. Heat sink
- 7. Breathable valve
- 8. Battery connector
- 9. PV connector
- 10. PV switch
- 11. Antenna hole
- 12. USB port
- 13. RS232 Cover
- 14. Communication ports
- 15. DIP and Dry connector
- 16. AC grid connector
- 17. Reserved hole
- 18. EPS connector
- 19. Grounding screw

⚠ Note:
 1. Only three-phase meter supports current direction detection.
 2. Function introduction of communication ports(14) in the follow.

⚠ Note:
 1. This file will be updated from time to time due to product upgrades or other reasons. Unless otherwise agreed, this document is intended as a guide only. All information and suggestions do not constitute an express or implied warranty. The final interpretation of the content is at Growatt.
 2. This document is for quick guidance installation only. For details, please refer to the User Manual.
 3. Machine damage caused by failure to follow the content is not covered by the warranty.

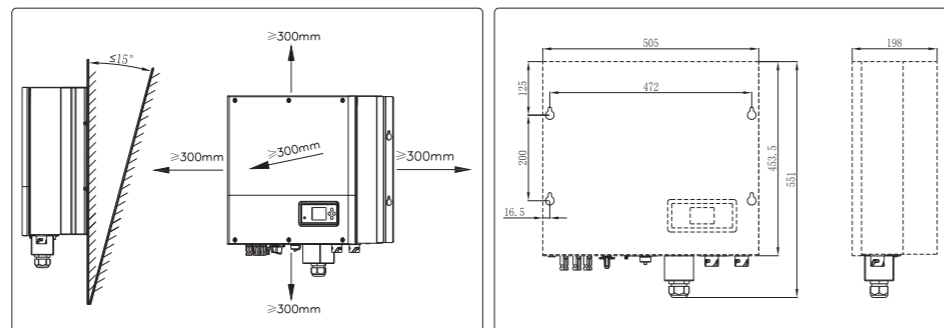
2. Installation

System Overview

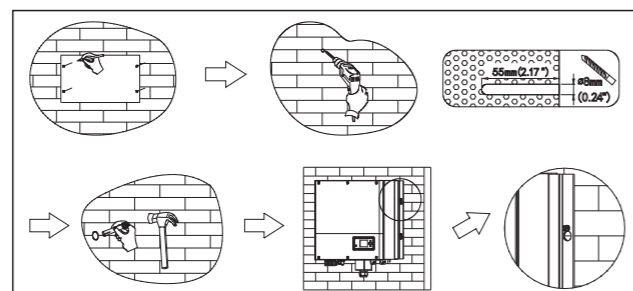


⚠ Note:
 The installation of this hybrid system needs to comprehensively consider the position of the battery and the power collector.

2.1 Installation requirements

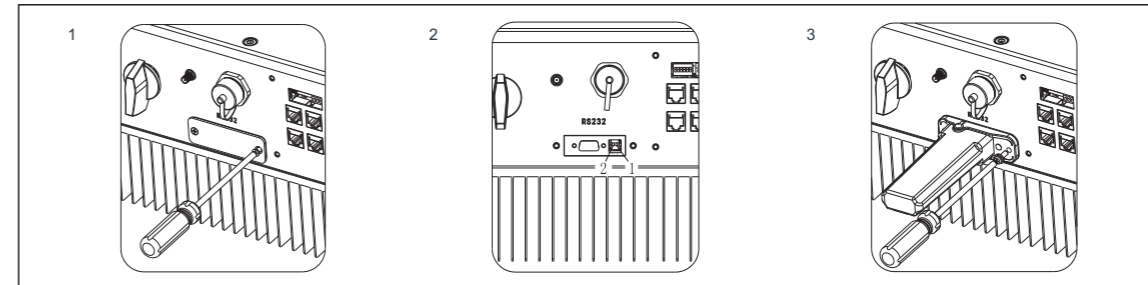


2.2 Wall mounting



⚠ Note:
 Be careful : Avoid water and electricity pipes when punching holes in the wall, otherwise it may be dangerous.

2. 3 communication module installation



Follow the installation steps:
 1.Remove the RS232 waterproof cover.
 2.Switch off all the DIP next to RS232
 3.Plug in the communication module.

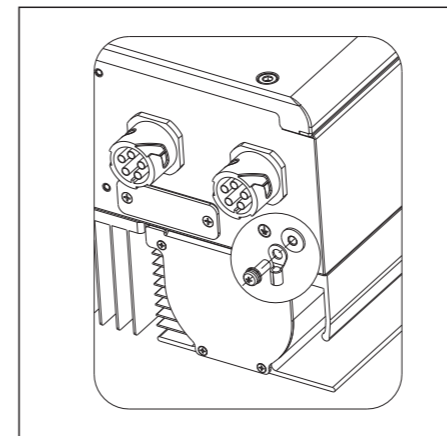
3. Connecting cables

Please prepare the cable before connecting as follows.

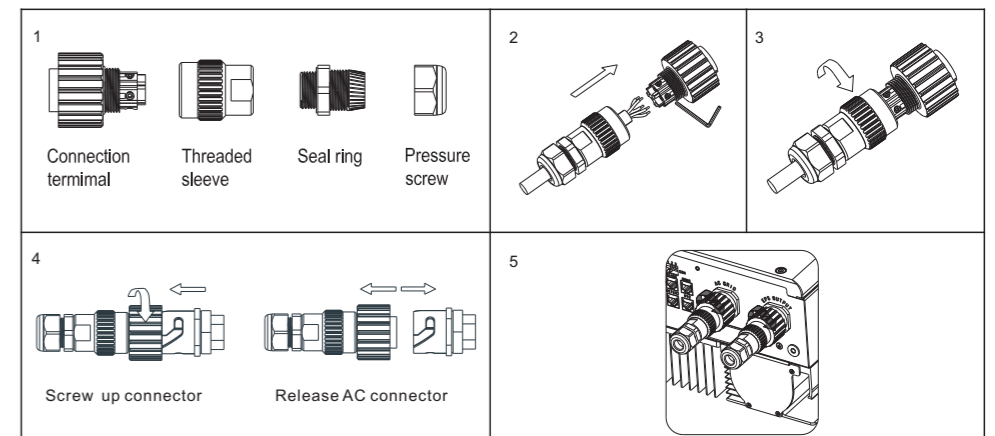
Number	Cable name	Type	Recommend module
1	grounding wire	Single multi-core yellow-green copper wire	Wire diameter>AWG10
2	AC output wire	Two or three different color multi-core copper wires	Wire diameter>AWG12
3	PV input wire	Photovoltaic dedicated cable (such as PV1-F)	4mm ² - 6mm ²
4	Battery input wire	Red and black multi-core copper	Wire diameter>AWG10
5	Other communication wire	CAT5E	/

⚠ Notice:
 1.Lithium battery has its own power line and communication line, so please use them directly.
 2.Hybrid inverter include the basic communication line. So please use them directly.
 3.Please make sure all the switches off before connection. For your safety, please do not operation when power on.

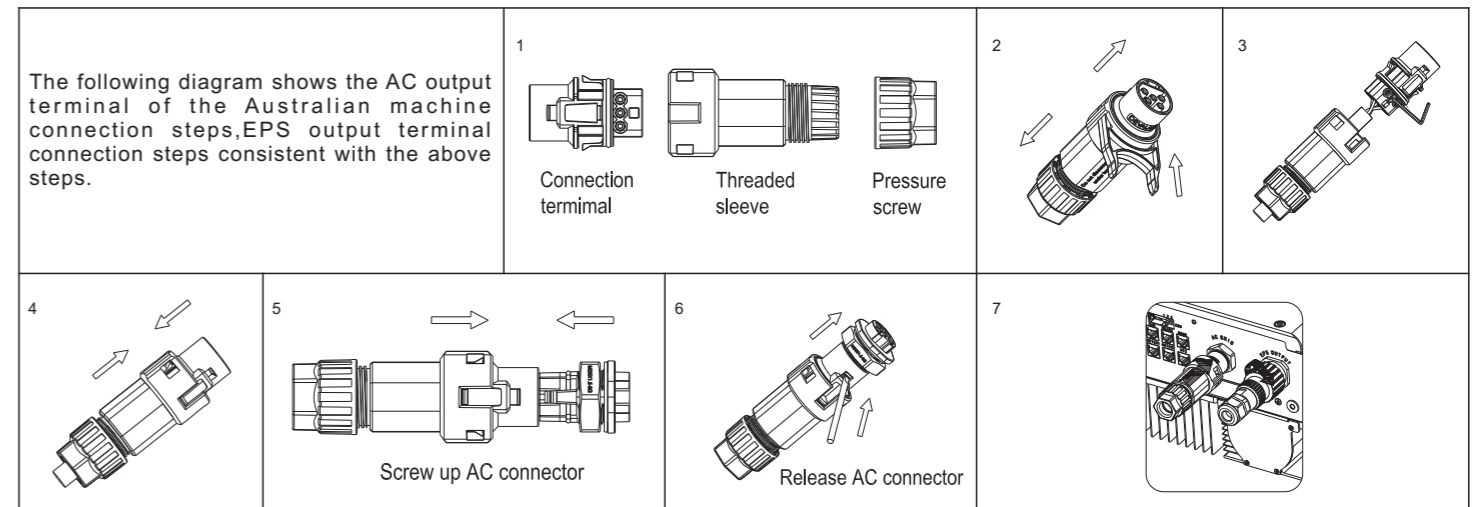
3. 1 Grounding



3.2 AC GRID and EPS output connection



The following diagram shows the AC output terminal of the Australian machine connection steps, EPS output terminal connection steps consistent with the above steps.



3.3 DC connection

3.3.1 PV and Battery input terminal installation

<p>1</p> <p>Positive metal terminal 8-10 mm</p> <p>Negative metal terminal 8-10 mm</p>	<p>2</p> <p>Please make sure cable can't put out from terminal after pressing.</p>	<p>3</p> <p>Positive metal terminal</p> <p>Negative metal terminal</p> <p>Pull the PV or Battery cable make sure there is no loosen or shaking.</p>
<p>4</p> <p>Lock nut to ensure fastening.</p>	<p>5</p> <p>Make sure the cable polarity is correct.</p>	

3.3.2 Plug in PV terminal

<p>1</p> <p>click</p>	<p>2</p> <p>click</p>	<p>Notes:</p> <ol style="list-style-type: none"> Please make sure the PV input voltage/current not beyond the specification before plug in. When installing the PV terminal, pay attention to the distinction between the positive and negative terminals and the one-to-one correspondence between the terminals and hybrid inverter. When the terminal is docked, there is a click sound. After the terminal is docked, gently pull the PV cable to observe whether the terminal is shaking or not.
-----------------------	-----------------------	---

3.3.3 Plug in Battery terminal

<p>1</p> <p>click</p>	<p>2</p> <p>click</p>	<p>Notes:</p> <ol style="list-style-type: none"> Turn off the battery cabinet switch and disconnect the CAN communication cable before inserting. Make sure that the battery input voltage/current does not exceed the specifications. When installing the battery terminal, pay attention to the distinction between the positive and negative terminals and the one-to-one correspondence between the terminals and hybrid inverter. When the terminal is docked, there is a click sound. After the terminal is docked, gently pull the battery cable to observe whether the terminal is shaking or not.
-----------------------	-----------------------	--

3.3.4 Communication cables installation

<p>1</p> <p>RJ45 terminal Pressure screw Threaded sleeve RJ45 terminal</p> <p>Communication line Seal ring Waterproof cover</p>	<p>2</p>	<p>3</p> <p>NTC DRY CONTACT DRMS METER1 CAN RS485/METER2</p>	<p>When all the communication lines are installed, push the waterproof cover into the bottom, lock the screws fixed to the frame, and finally lock the waterproof cap.</p>
<p>4</p> <p>METER1</p>	<p>5</p>	<p>6</p>	

4. Post-installation check

Number	Acceptance Criteria	Number	Acceptance Criteria
1	Hybrid inverter is installed correctly and firmly	2	ShineWiFi-S or Shinelink or GPRS is installed correctly and firmly.
3	Cable wiring is reasonable, meets the requirements, no broken skin, etc.	4	The ground wire confirms the connection and is reliable.
5	All switches off	6	All wires are correct and securely connected.
7	Cable tie port trimming, no sharp corners, etc.	8	All exposed terminals are well protected, no vacant ports.
9	Pay attention to packing all the residual materials.		

5. On off hybrid inverter

Notes:

Before power on, please make sure all of the voltage and current are in the range of specification of hybrid inverter. Otherwise it will be damage to hybrid inverter.

Follow are the steps of turn on actions:

- Turn on the switch between Grid and hybrid inverter.
- Turn on battery and the switch between battery and hybrid inverter.
- Turn on PV switch.
- Turn on Battery switch.
- If need to setup hybrid inverter. Please turn to user manual of hybrid inverter for detail description.
- The shutdown steps are opposite to the above order.

7. Service and contact

6. Status of hybrid inverter

Customer can read more information by push button. Follow are the instruction of button and LED.

Mark	Description	Explanation								
	Push-button	Operation of display screen and set system								
	Status symbol of SPH	<table border="1"> <tr> <td>Green light on</td> <td>SPH run normally</td> </tr> <tr> <td>Red light on</td> <td>Fault state</td> </tr> <tr> <td>Green light blinking</td> <td>Alarm state</td> </tr> <tr> <td>Red light blinking</td> <td>Software updating</td> </tr> </table>	Green light on	SPH run normally	Red light on	Fault state	Green light blinking	Alarm state	Red light blinking	Software updating
Green light on	SPH run normally									
Red light on	Fault state									
Green light blinking	Alarm state									
Red light blinking	Software updating									



Download Manual



Growatt New Energy

Shenzhen Growatt New Energy Technology CO.,LTD
 No.28 Guangming Road, Shiyan Street, Bao'an District, Shenzhen, P.R.China
 T +86 0755 2747 1942
 E service@ginverter.com
 W www.ginverter.com
 GR-UM-161-A-01